



## HIGHLY EFFICIENT

# Yingli PANDA YL265C-30b, YL270C-30b

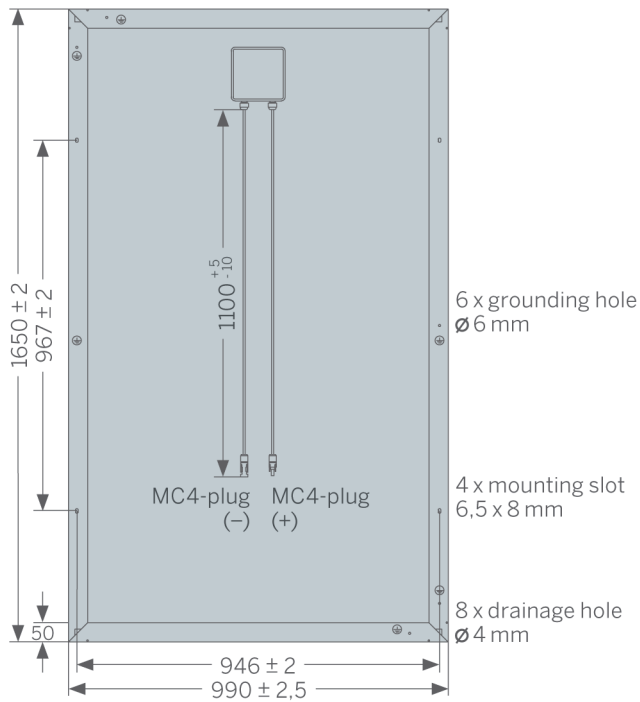
## MONOCRYSTALLINE SOLAR MODULES

The latest technology helps to keep the Yingli PANDA YL xxxC-30b series “young.” These solar modules offer particularly high efficiency for their size – over a long period of time. They are manufactured based on n-type silicon. They stand out for their better low-light and thermal behavior. In addition, the use of three busbars reduces electrical losses.

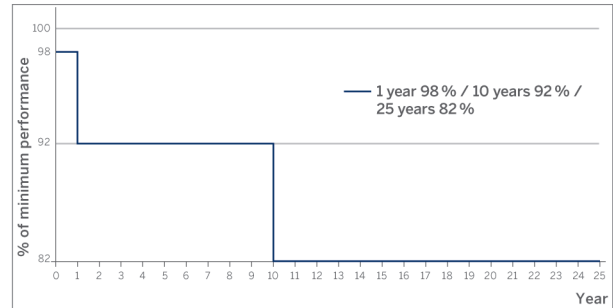
### HIGHLIGHTS

- ❑ 10-year product warranty\*
- ❑ Power warranty\*
  - 1 Year (98%)
  - 10 Years (92%)
  - 25 Years (82%)
- ❑ Power tolerance -0/+5 Wp
- ❑ Tested according IEC 61215 for snow loads up to 5400 Pa (ca. 550 kg/m<sup>2</sup>)
- ❑ IEC 61730, Application Class A for system voltages up to 1,000 V
- ❑ IEC 61215 tested and certified
- ❑ Produced in ISO 9001- and 14001-certified factories
- ❑ 100% end control with individual registration of the electrical characteristics
- ❑ Quality tested by IBC SOLAR in own laboratory with climate chambers and flasher with integrated electroluminescence measurement

Dimensioned drawing YL2xxC-30b



Progression of the power warranty



## TECHNICAL DATA

Yingli PANDA	265C-30b	270C-30b
STC Power Pmax (Wp)	265	270
STC Nominal Voltage Umpp (V)	31,0	30,5
STC Nominal Current Impp (A)	8,55	8,86
STC Open circuit voltage Uoc (V)	39,0	38,3
STC Short circuit current Isc (A)	8,93	9,47
800 W/m <sup>2</sup> NOCT AM1.5 Power Pmax (Wp)	192,4	195,6
800 W/m <sup>2</sup> NOCT AM1.5 Nominal Voltage Umpp (V)	28,1	27,4
800 W/m <sup>2</sup> NOCT AM1.5 Open Circuit Voltage Uoc (V)	35,9	35,3
800 W/m <sup>2</sup> NOCT AM1.5 Short Circuit Current Isc (A)	7,20	7,64
Rel. efficiency reduction @ 200W/m <sup>2</sup> (%)	5	5
Tempcoeff Isc (%/°C)	+0,04	+0,04
Tempcoeff Uoc (mV/°C)	-128	-126
Tempcoeff Pmpp (%/°C)	-0,42	-0,42
Module Efficiency (%)	16,2	16,5
NOCT °C	46	46
Max. System Voltage (V)	1000	1000
Current value String fuse (A)	15	15
Fuse protection from parallel strings	4	4
Length (mm)	1650	1650
Width (mm)	990	990
Height (mm)	40	40
Weight (kg)	19,1	19,1
Articlenumber	2001700016	2001700017

08.03.2012

Your IBC SOLAR partner:

\* Product and power warranty in accordance with the version of the full warranty conditions received from your specialized IBC SOLAR partner at the time of installation. This warranty is valid only when the relevant product is installed in accordance with the applicable installation instructions. Electrical values under standard test conditions: 1000W/m<sup>2</sup>; 25°C, AM1.5, 800 W/m<sup>2</sup>, NOCT. Specifications according EN60904-3 (STC). All datas according DIN EN 50380. Subject to modifications that represent process.