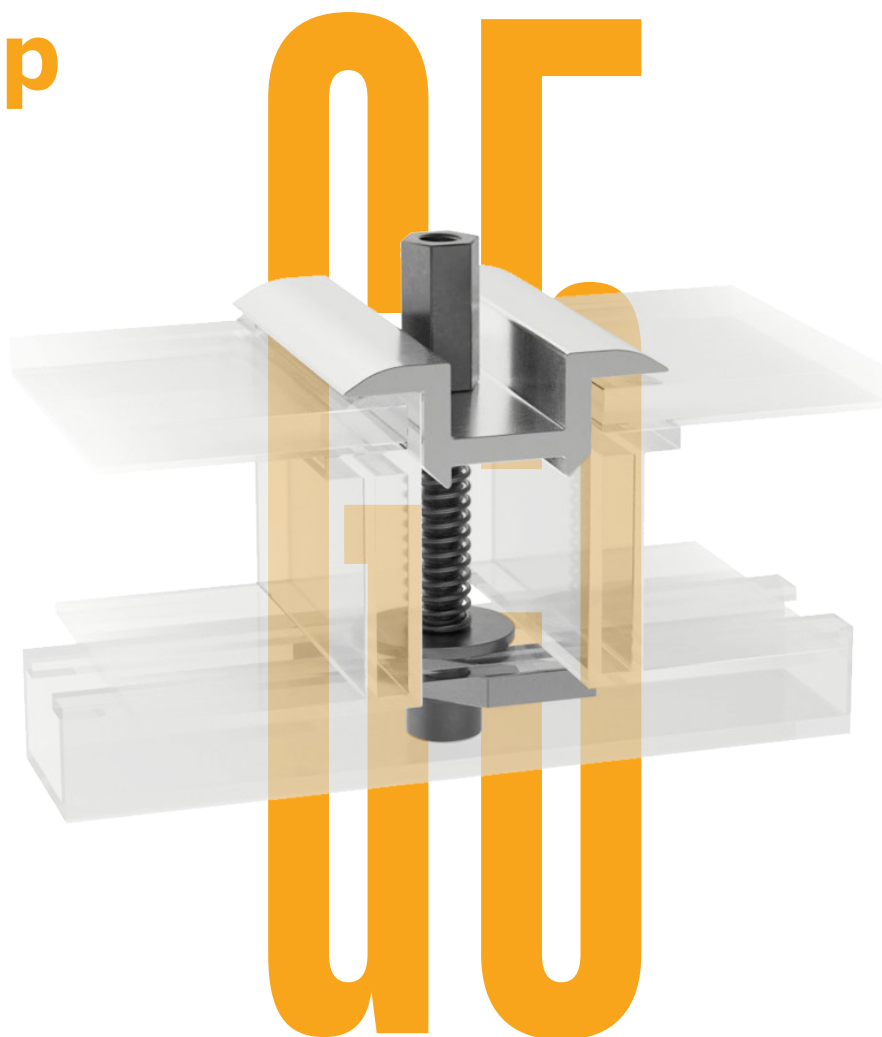


Clamp G5

The clever trick.



Your benefits at a glance

- The low priced module clamp of IBC SOLAR
- Impresses with its compact design
- Suitable for module frame heights from 30 mm to 40 mm
- Bolts which are not tightened are noticeable due to the protruding clamping profile
- Can also be used as an end clamp adapter in combination with an external clamp adapter
- DIBt approval currently in progress

The clamp can still be pushed onto the module for assembly. The adhesive point loosens as soon as the clamp's long nut continues to turn in order to fix the modules. In connection with the external terminal adapter, the G5 middle clamp can also be utilised as an end clamp.

The innovative G5 Eco centre clamp from IBC SOLAR impresses with its simplicity – which has proved itself both in assembly as well as in price. Patent-pending construction design with inverted bolt, spring and long nut means it can be installed flawlessly in just a few simple manual steps. The rhomboid nut is inserted into the groove channel of the profile from above and swung in by pivoting the long nut. The adhesive point located in the long nut ensures the one-off pivoting of the rhomboid nut. The spring, in conjunction with the washer, fixes the G5 middle clamp precisely on the profil.

WEBINAR

Our new economical mounting solutions – advantages and application areas.

28.07.2020 4.00 p.m. **27.08.2020** 4.00 p.m.





Technical data

Parameters	Value
Material	Aluminum, stainless steel
Surface finish	Blank or black anodised
Module type	Framed
Module frame heights in mm	30 to 40